

VENTER COMPONENTS—CONTINUED

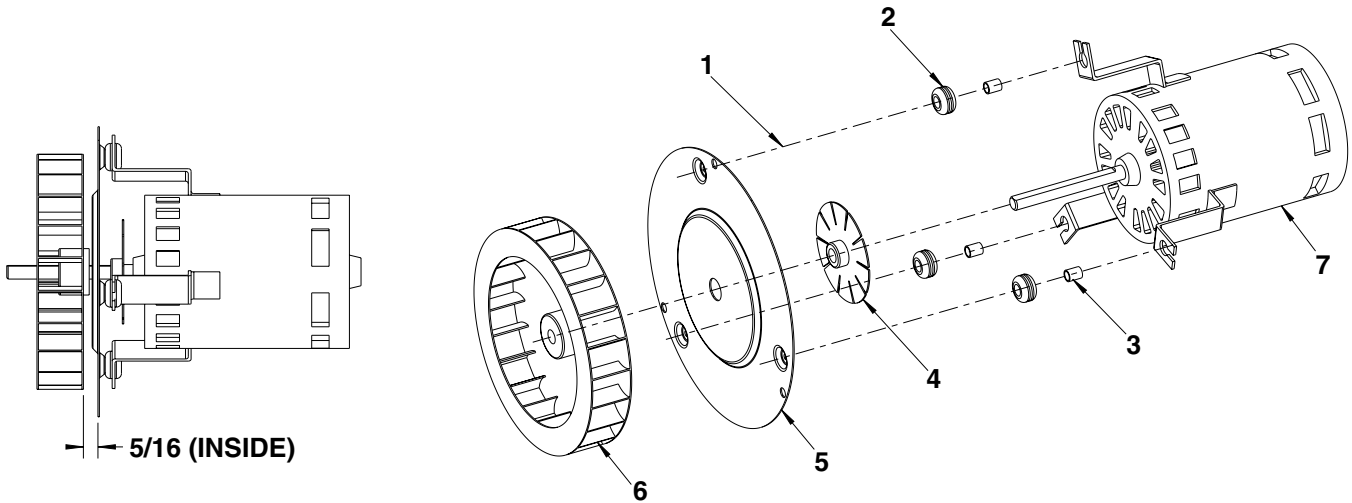


Figure 25. Venter Motor and Wheel Assembly for Cabinet Size 0 Units (Refer to [Table 38](#))

Table 38. Venter Motor and Wheel Assembly for Cabinet Size 0 Units					
Model	Heat Section Option	Item No.	Component	PN	Quantity
YDHA, YDMA	H50, H100, H120, H150	—	Assembly, venter motor and wheel	1013138	1
		1	Screw, #10-32 × 1/2 long	113275	3
		2	Isolator, venter	194534	3
		3	Bushing, venter isolator	194803	3
		4	Fan	195766	1
		5	Venter motor plate	194806	1
		6	Venter wheel	135979	1
	7	Venter motor	236161	1	
	H50, H100	8	Assembly, venter housing (not shown)	196248	1
	H120, H150			1012568	

FAN SLED ASSEMBLY COMPONENTS (CABINET SIZES 1, 2, AND 3 ONLY)

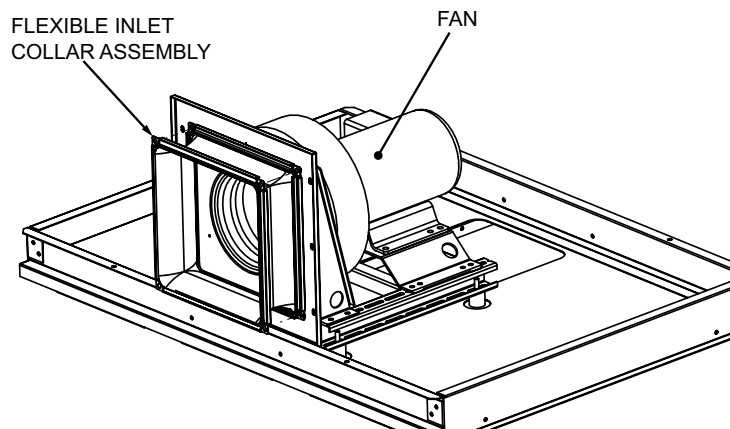


Figure 26. Fan Sled Assembly